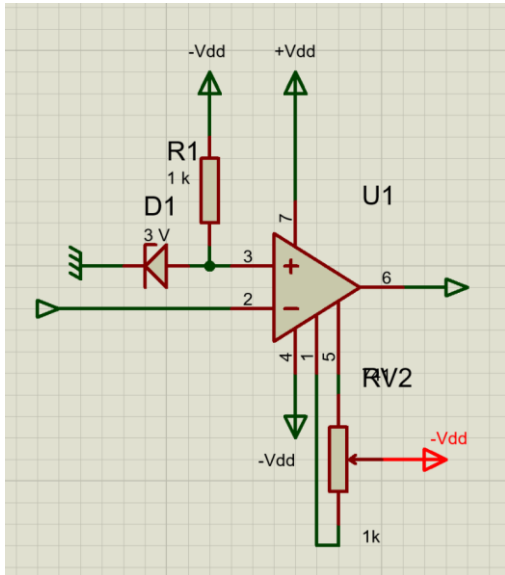


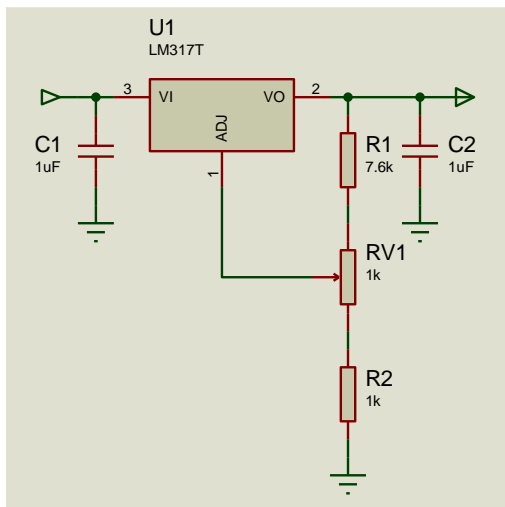
Answer on Question #79588 - Physics - Electric Circuits

- a) Design and draw a voltage comparator circuit using op-amp IC 741 to give +VSat at the output if the input voltage is less than -3V and -VSat for input more than -3V.
- b) Design and draw the circuit of a voltage regulator using LM 317 to provide an adjustable voltage between 6 to 12V.

a)



b)



Answer provided by <https://www.AssignmentExpert.com>