

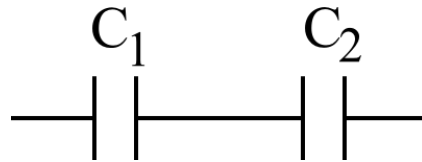
Answer on Question 64199, Physics, Electric Circuits

Question:

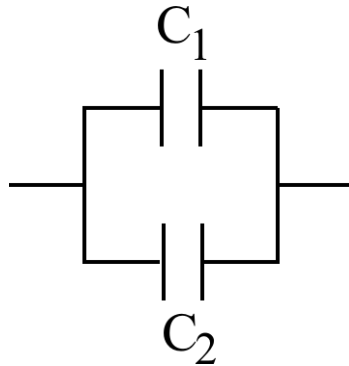
Draw the connection of series, parallel, series-parallel combination of capacitors.

Answer:

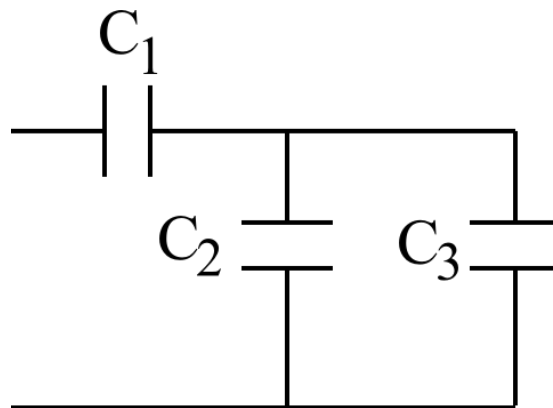
The examples of the connection of series, parallel and series-parallel combination of capacitors shown in figure below:



Series connection of capacitors



Parallel connection of capacitors



Series-parallel combination of capacitors